

240V 4ft LED Weatherproof Vandal Resistant Batten Installation & Maintenance Instruction Leaflet



Designed in Australia to comply with the requirements of
AS/NZS CISPR15: 2011

Victoria (Head Office & Manufacturing)
Website: www.clevertronics.com.au
Email: info@clevertronics.com.au
Phone: +61 3 9559 2700
Fax: +61 3 9559 2799

New South Wales
Phone: +61 2 8805 6400
Fax: +61 2 8805 6444

Queensland
Phone: +61 7 3442 9700
Fax: +61 7 3442 9777

South Australia/Northern Territory
Phone: +61 8 8301 8800
Fax: +61 8 8351 8286

Western Australia
Phone: +61 8 9207 0000
Fax: +61 8 9207 0088

New Zealand
Phone: +64 800 548 448

Models: FVP4LED-P-xx-yy-uu-zz 240V 50Hz

Options:

Fused Terminal Block
DALI LED Driver
Microwave Sensor Controlled Hi/Lo Function
Low Smoke Zero Halogen 1.5 metre Flex Cable with Wieland Plug
Customized cable and plug configuration
ZW Inline Filter

yy = FTB
xx = DD
xx = MS-HL
zz = LSZH-FPW1M5
zz = Custom
uu = FLT

Spare Parts:

1330055 Replacement 240V Driver
1330056 Replacement 240V Driver **(-DD)**
1330070 Replacement 240V Driver **(-MS-HL)**
8002755 Replacement Emergency LED Board

Important:

It is illegal for anyone, except for a licensed electrician to install or maintain this product. Before installation, ensure that the electricity supply has been switched off and isolated. Installation must be carried out in accordance with the relevant Australian and International Standards.

Installation:

The Vandal Resistant Batten is a surface mount fitting.

The batten can be attached directly to any solid surface by drilling the base internal mounts as required. Refer to the Dimensions Section for mounting points.

The batten can also be mounted to Unistrut utilizing the four (4) recessed screw holes on the back of the case. Refer to Dimensions section.

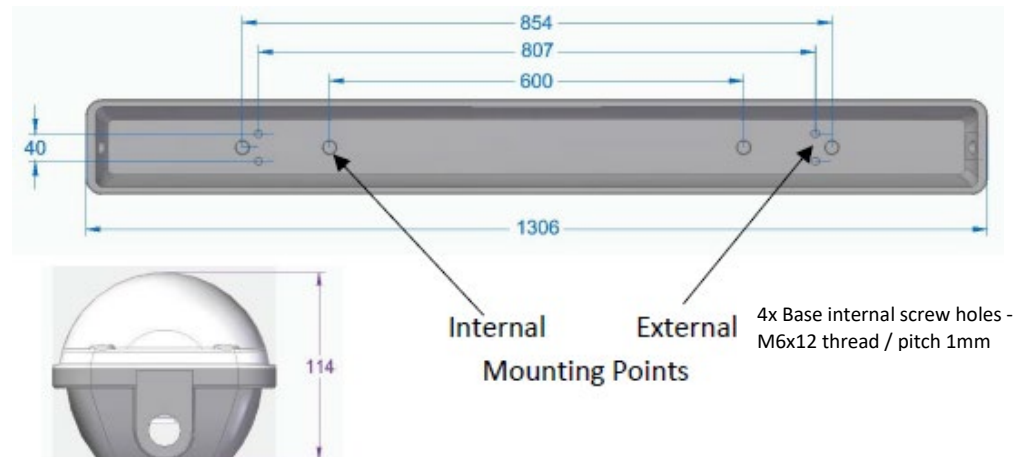
1. Remove the diffuser and gear tray. Position the batten base in the desired location.
2. Mark out the fixing points on the mounting surface.
3. Fasten the batten to the surface, using appropriate fixing method.
4. Route power cable through the access hole. Use the conduit entry point at the end or drill a suitable entry hole in the rear of the batten body (must be suitably sealed after cable entry).
5. Attach gear tray to lanyards.
6. Wire mains power cable, 240V 50Hz, to terminals marked A, N &.
7. Fit gear tray and diffuser.

Sealing:

When drilling through the fitting base, a suitable silicone sealant must be applied to maintain the IP rating. Always use a sealant that remains flexible. Apply enough sealant so that the material oozes out completely around the washer when the bolt or screw is tightened.

Always use a gland or screwed conduit adapter. With conduit ensure that the other end of the conduit is not left open. Even if it is inside the building, it allows water vapor and insects to enter the fitting. A rubber washer and silicone sealant must also be used between the fitting body and the conduit nut inside the fitting to guarantee a water-tight seal. Use PVC cement to seal all conduit joints. Glands are intended for round cable and will not seal against TPS. Even when properly installed using round cable, sealant may be necessary in extreme weather exposure.

Dimensions:



Warranty:

For Product Warranty information and Terms and Conditions of Sales please refer to our website <http://clevertronics.com.au/terms-conditions-sale-australia-nz/>